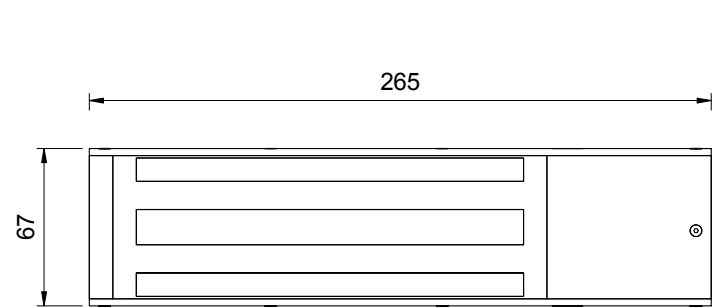
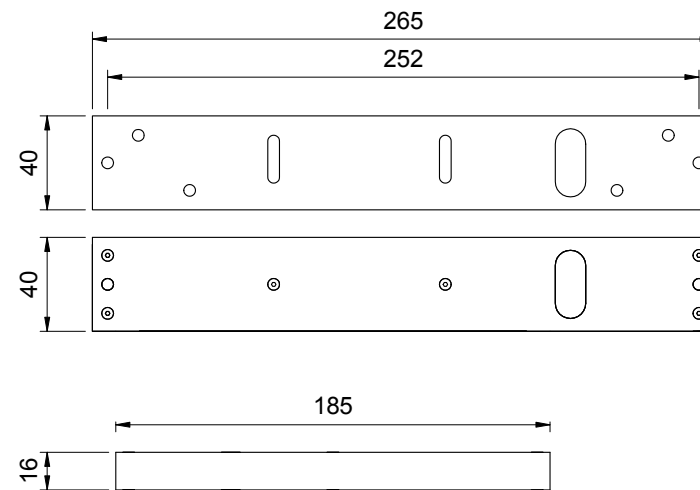


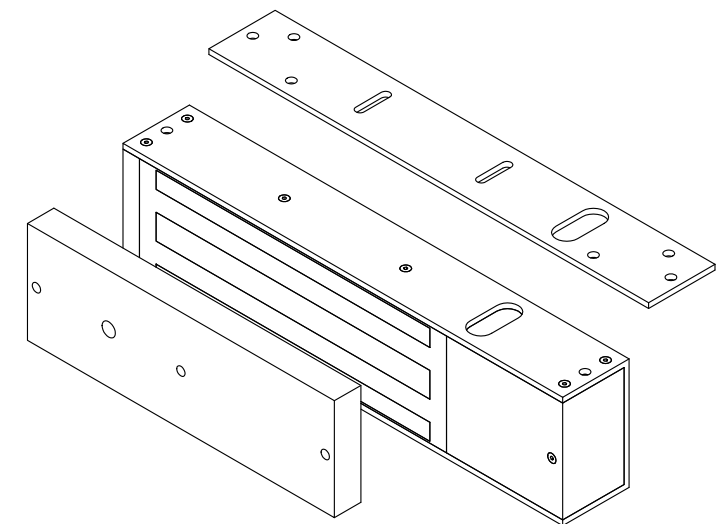
02 Side View
1 : 3



03 Front View
1 : 3



04 Top View
1 : 3



01 3D View

Single Magnet		
Item	Description	Finish Option
KEM-600M	KCC Surface Standard Single Magnet, Monitored, 1200lbs Holding Force	Brushed Aluminium

Rev	Date	Description	Initial
Title : KEM-600M			
Contract : KCC Architectural			
Scales are as shown, original drawing size A3			
		Creator : IN	
		Checked by : SQ	
		Scale : N.T.S	
		First issue : 25-11-2019	
		Project No :	
DRG No :		Rev	